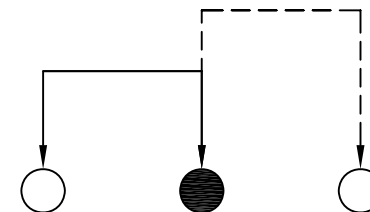
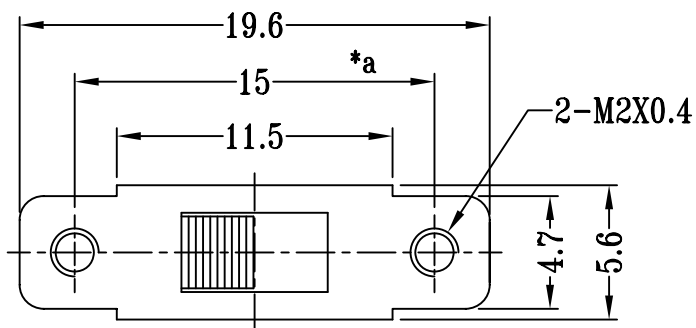
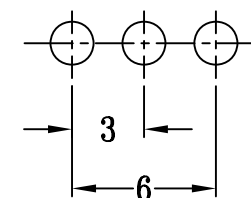
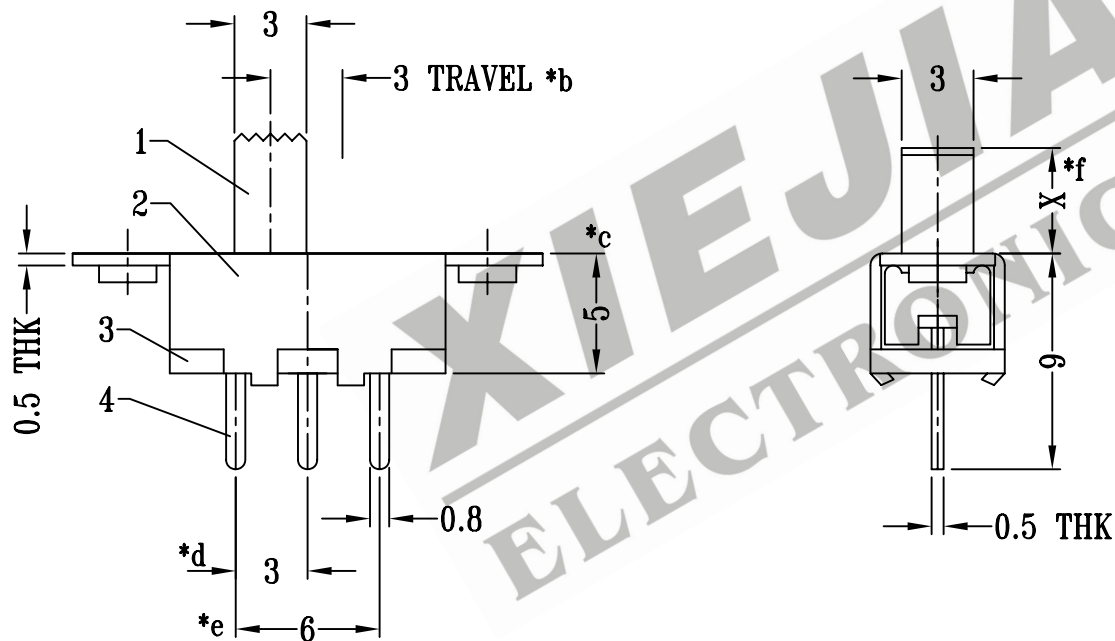


CAD FILE:



SCHEMATIC (NON-SHORTING)



P.C.B LAYOUT

注:带"*"表示关键尺寸(6个)

NO.	PARTS	MATERIALS	Q'TY	FINISH	TOLERANCE UNLESS SPECIFIED	SHENZHEN XIEJIA ELECTRONICS CO.,LTD.				
8					WITHIN: 1.5±0.1mm OVER: 1.5±0.2mm	ISSUE	DATE	DESCRIPTIONS OF REVISION		APPD.
7										
6	CONTACT CLIP	COPPER STRIP	1	Ag PLATED	TITLE : VERTICAL SLIDE SWITCH MODEL: SS-12F61 ALL MATERIALS MUST BE COMPLIANT TO ROHS					
5	SPRING	STEEL WIRE	1	TEMPER						
4	TERMINAL	BRASS STRIP	3	Ag PLATED OVER Ni PLATED						
3	BASE	PHENOLIC RESIN	1	NATURAL						
2	FRAME	STEEL STRIP	1	BLACK						
1	KNOB	POM	1	BLACK	UNIT : mm	DRWG NO.: XJ-DR-SS12F61-00				
						SCALE: 3 : 1	DWN.	ZHOUYU	2003-8-25	
							CHK'D	FANGYING	2003-8-25	
							APPD.	KANGXINAN	2003-8-25	